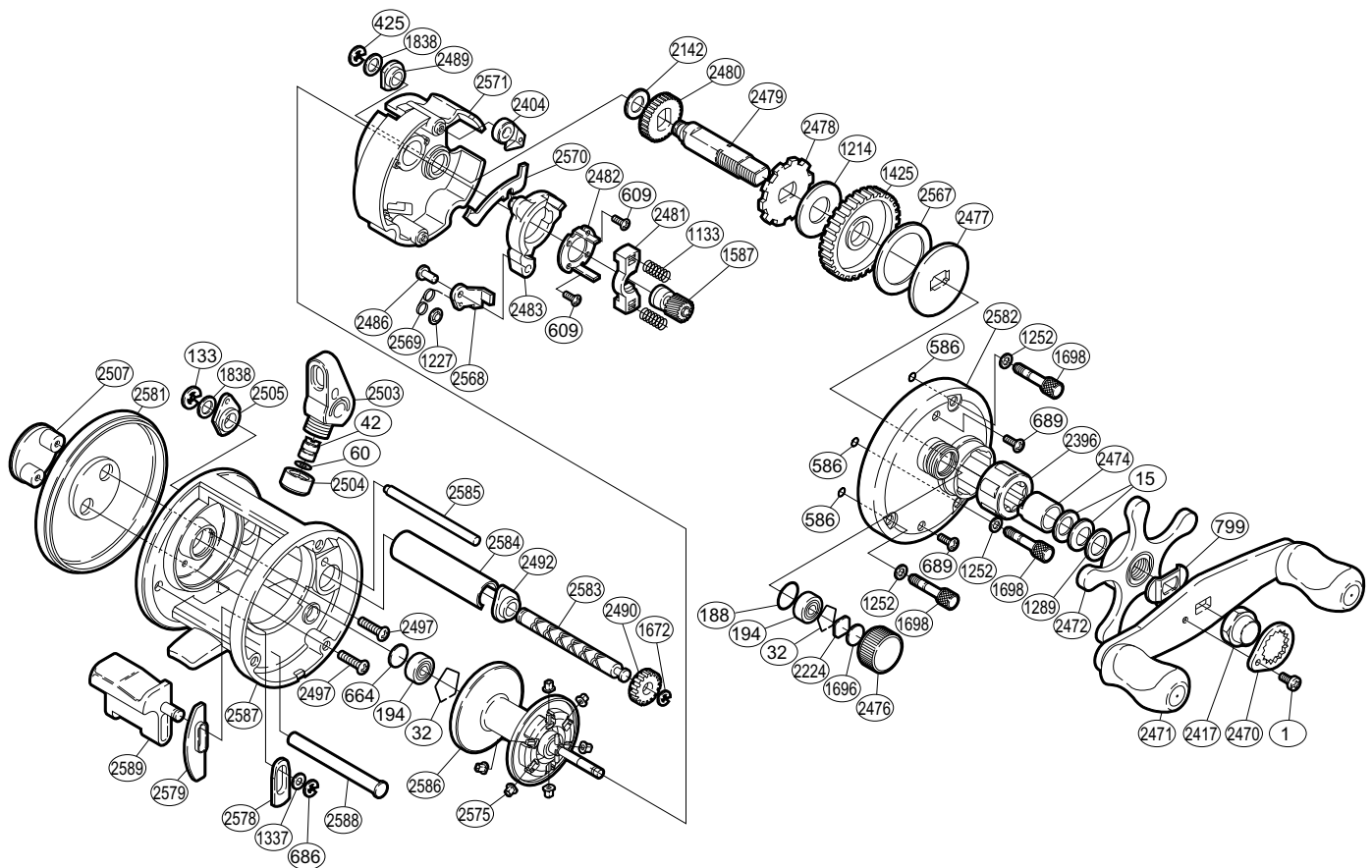


# SHIMANO®

## CARDIFF®

### CDF-300



Part No.	Description	Part No.	Description	Part No.	Description
BNT0001	Handle Nut Plate Screw	BNT1696	Cast Control Spacer (B)	BNT2497	ID Plate Screw
BNT0015	Drag Spring Washer	BNT1698	Right Side Plate Bolt	BNT2503	Line Guide
BNT0032	Bearing Retainer	BNT1838	Worm Shaft Spacer	BNT2504	Pawl Cap
BNT0042	Line Guide Pawl	BNT2142	Idle Gear (A) Spacer	BNT2505	Worm Bushing (B)
BNT0060	Spacer (optional)	BNT2224	Spool Tension Spacer (A)	BNT2507	Left Side ID Plate
BNT0133	Worm Shaft Retainer	BNT2396	Roller Clutch Bearing	BNT2567	Drag Washer (C)
BNT0188	"O" Ring	BNT2404	Anti-Reverse Pawl	BNT2568	Clutch Pawl
BNT0194	Ball Bearing	BNT2417	Handle Nut	BNT2569	Clutch Pawl Spring
BNT0425	"E" Lock	BNT2470	Handle Nut Plate	BNT2570	Clutch Plate
BNT0586	Bolt Retainer	BNT2471	Handle Assembly	BNT2571	Set Plate
BNT0609	Clutch Cam Screw	BNT2472	Star Drag	BNT2575	Brake Collar
BNT0664	Spacer (B)	BNT2474	Roller Clutch Inner Tube	BNT2578	Clutch Bar Guide (A)
BNT0686	"E" Lock	BNT2476	Cast Control Cap	BNT2579	Clutch Bar Guide (B)
BNT0689	Set Plate Screw	BNT2477	Key Washer	BNT2581	Left Side Plate
BNT0799	Friction Washer	BNT2478	Anti-Reverse Ratchet	BNT2582	Right Side Plate
BNT1133	Yoke Spring	BNT2479	Drive Shaft	BNT2583	Worm Shaft
BNT1214	Drag Washer (A)	BNT2480	Idle Gear (A)	BNT2584	Level Wind Guard
BNT1227	Clutch Pawl Spring Retainer	BNT2481	Yoke	BNT2585	Level Wind Guide
BNT1252	Right Side Plate Bolt Washer	BNT2482	Clutch Cam Retainer	BNT2586	Spool Assembly
BNT1289	Star Drag Spacer	BNT2483	Clutch Cam	BNT2587	One-Piece Frame
BNT1337	Clutch Bar Support Spacer	BNT2486	Clutch Pawl Pin	BNT2588	Clutch Bar Support
BNT1425	Drive Gear	BNT2489	Drive Shaft Bushing	BNT2589	Quick-Fire II Clutch Bar
BNT1587	Pinion Gear	BNT2490	Idle Gear (C)		
BNT1672	"E" Lock	BNT2492	Worm Bushing (A)		