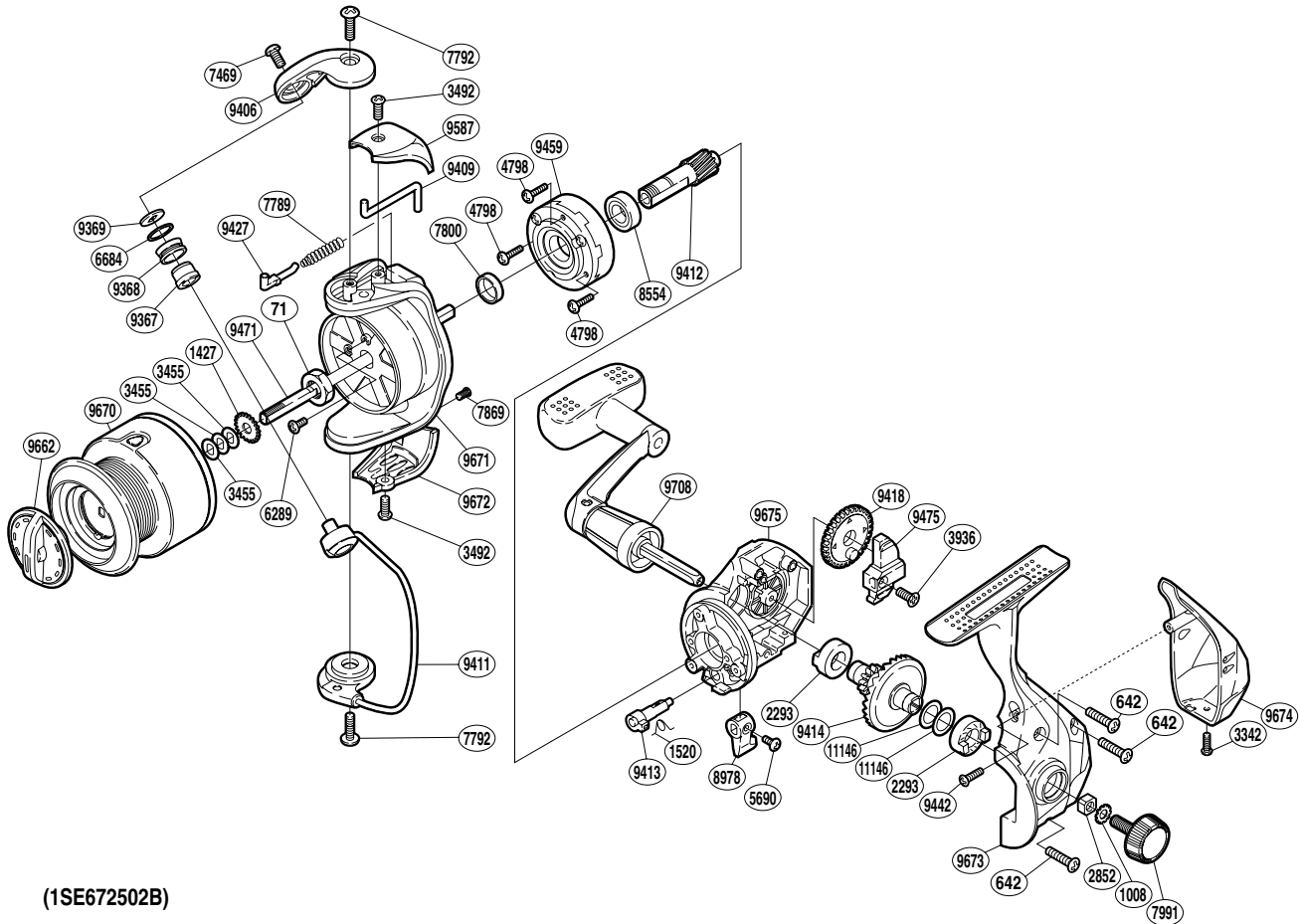


SHIMANO

SLADE

SL-2500FB



(1SE672502B)

| Part No. | Description | Part No. | Description | Part No. | Description |
|----------|-------------------------|----------|---------------------|----------|-------------------------|
| RD 0071 | Rotor Nut | RD 7789 | Bail Spring | RD 9418 | Oscillating Gear |
| RD 0642 | Screw | RD 7792 | Screw | RD 9427 | Bail Spring Guide |
| RD 1008 | Handle Lock Washer | RD 7800 | Rotor Ring | RD 9442 | Screw |
| RD 1427 | Spool Support | RD 7869 | Screw | RD 9459 | Roller Clutch Assembly |
| RD 1520 | Anti-Reverse Cam Spring | RD 7991 | Handle Screw Cap | RD 9471 | Main Shaft |
| RD 2293 | Drive Gear Bushing | RD 8554 | Ball Bearing | RD 9475 | Oscillating Slider |
| RD 2852 | Handle Screw Lock | RD 8978 | Anti-Reverse Lever | RD 9587 | Bail Spring Cover |
| RD 3342 | Screw | RD 9367 | Line Roller Bushing | RD 9662 | Drag Knob |
| RD 3455 | Spool Washer | RD 9368 | Line Roller | RD 9670 | Spool Assembly |
| RD 3492 | Screw | RD 9369 | Line Roller Washer | RD 9671 | Rotor |
| RD 3936 | Screw | RD 9406 | Bail Arm | RD 9672 | Bail Hold Support Guard |
| RD 4798 | Screw | RD 9409 | Bail Trip Lever | RD 9673 | Side Cover |
| RD 5690 | Screw | RD 9411 | Bail Assembly | RD 9674 | Rear Protector |
| RD 6289 | Screw | RD 9412 | Pinion Gear | RD 9675 | Body |
| RD 6684 | Line Roller Spacer | RD 9413 | Anti-Reverse Cam | RD 9708 | Handle Assembly |
| RD 7469 | Screw | RD 9414 | Drive Gear | RD11146 | Washer |

(190330)