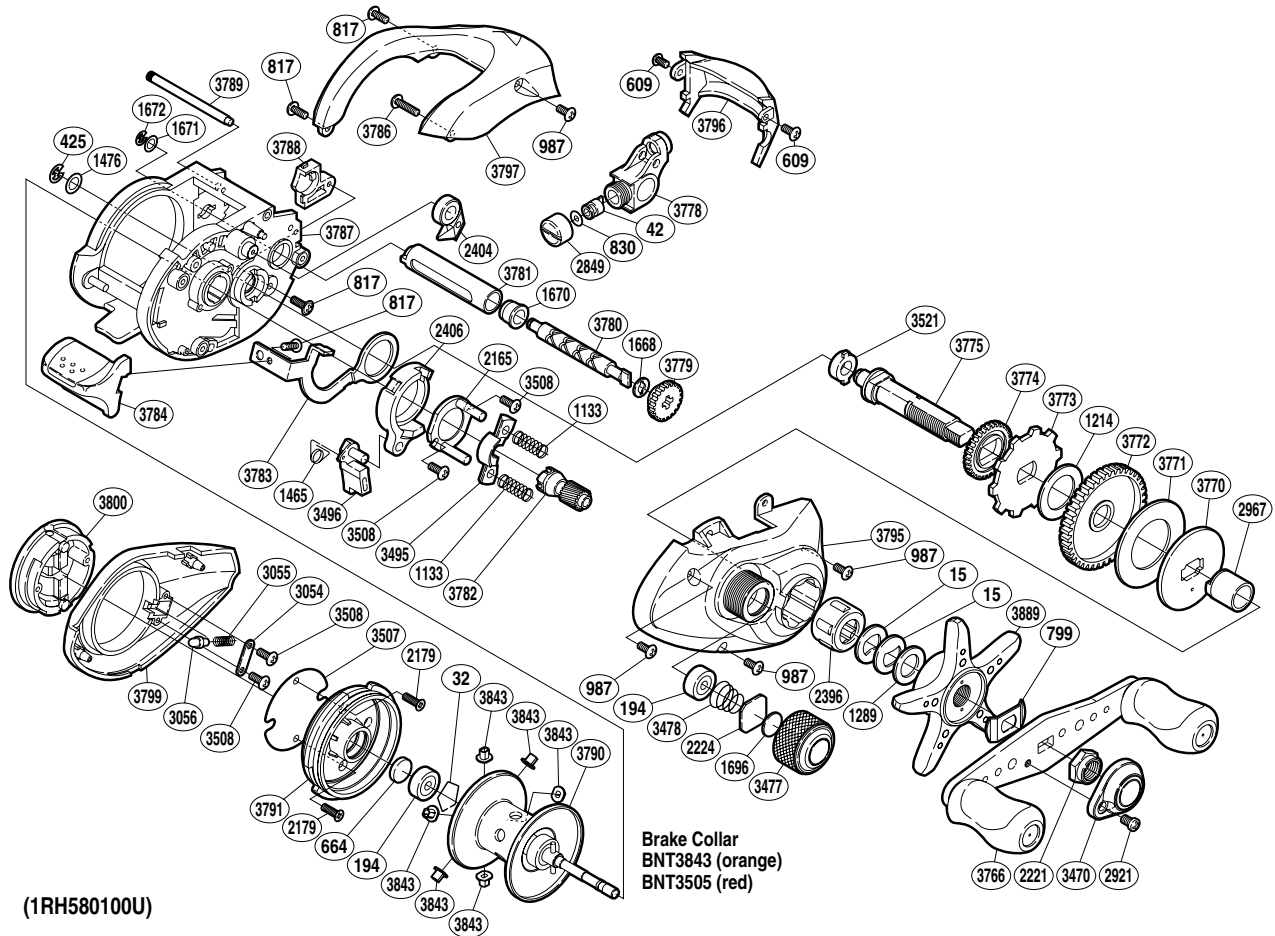


# SHIMANO

## CORIOLIS

CO-100GA



Part No.	Description	Part No.	Description	Part No.	Description
BNT0015	Drag Spring Washer	BNT2224	Spool Tension Spacer	BNT3775	Drive Shaft
BNT0032	Bearing Retainer	BNT2396	Roller Clutch Bearing	BNT3778	Line Guide
BNT0042	Line Guide Pawl	BNT2404	Anti-Reverse Pawl	BNT3779	Idle Gear
BNT0194	Ball Bearing	BNT2406	Clutch Cam	BNT3780	Worm Shaft
BNT0425	E Lock	BNT2849	Pawl Cap	BNT3781	Level Wind Guard
BNT0609	Screw	BNT2921	Screw	BNT3782	Pinion Gear
BNT0664	Spacer B	BNT2967	Roller Clutch Inner Tube	BNT3783	Clutch Plate
BNT0799	Friction Washer	BNT3054	Click Pin Retainer	BNT3784	Quick-Fire II Clutch Bar
BNT0817	Screw	BNT3055	Click Spring	BNT3786	Screw
BNT0830	Spacer	BNT3056	Click Pin	BNT3787	One-Piece Frame
BNT0987	Screw	BNT3470	Handle Nut Plate	BNT3788	Drive Shaft Cover
BNT1133	Yoke Spring	BNT3477	Cast Control Cap	BNT3789	Stabilizer Bar
BNT1214	Drag Washer	BNT3478	Spool Tension Spring	BNT3790	Spool Assembly
BNT1289	Star Drag Spacer	BNT3495	Yoke	BNT3791	Brake Case
BNT1465	Clutch Pawl Spring	BNT3496	Clutch Pawl	BNT3795	Right Side Plate
BNT1476	Washer	BNT3507	Brake Case Spacer	BNT3796	Level Wind Protector
BNT1668	Worm Shaft Washer	BNT3508	Screw	BNT3797	Thumb Rest
BNT1670	Worm Bushing	BNT3521	Drive Shaft Bushing	BNT3799	Left Side Plate
BNT1671	Washer	BNT3766	Handle Assembly	BNT3800	Turnkey Dial
BNT1672	E Lock	BNT3770	Key Washer	BNT3843	Brake Collar (orange)
BNT1696	Cast Control Spacer	BNT3771	Drag Washer	BNT3889	Star Drag
BNT2165	Clutch Cam Retainer	BNT3772	Drive Gear		
BNT2179	Screw	BNT3773	Anti-Reverse Ratchet		
BNT2221	Handle Nut	BNT3774	Idle Gear	BNT3505	Brake Collar (red)